

Compac S

Coin Deposit Sidecar
for KUAN / BEAM



HIGH SECURITY LOCK
EN 1300
CLASS B
 Z

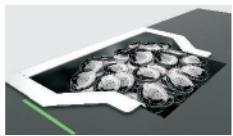
Companion to enhanced efficiency and performance

Now Masterwork's Cash Deposit System is now even more powerful and flexible with Compac S, pushing the limit of convenience further to handle both note and coin.



COMPATIBILITY

Compac S is compatible to all Cash Deposit System portfolio by MA, completing the solution.



CONVENIENCE

The flip-able Coin Tray on top of Compac S provides an effortless way to feed coins. Ergonomic and easy to operate.



SECURITY

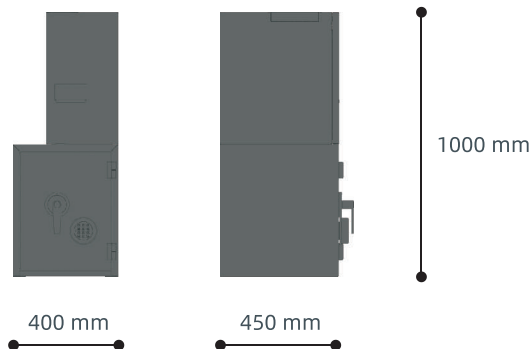
Compac S features one high security EU Class B lock and bolt-work. Plus the OTP and 4-eye principle method.



BACK-END PORTAL

Coin transaction data are also Compac S features one high security EU Class B lock and bolt-work. Plus the OTP and 4-eye principle method.

DIMENSIONS



Specification

Feed System	Non-sorting
Coin Wheel	7 or 9 pick-up wheel
Processing Speed	250~310 coin / min.
Available Currencies	All major currencies. Apprx. 50 currencies, up to 20 deno. Contact us for more info
Capacity	300~350 pcs (Coin Inlet Tray) 50~60 pcs (Hopper) 100 pcs (Reject) Bag : apprx. 2400 pcs or weigh under 20 Kg Cassette : apprx. 7500~10000 pcs or weigh under 80 Kg
Interface	Banknote Module : RJ45 Coin Module : RS232
Power Supply	AC100V~240V, 50/60HZ

Authorized Dealer

